



figure **400**

ends form
flanged Y-type



CHECK VALVE zCHE

body material	nominal pressure	nominal diameter	max. temperature
B nodular cast iron	C 16 bar	DN 50-150	70°C
	B 10 bar	DN 200-400	

* DN 300-400 on request



FEATURES

- very slight pressure drop
- fill bore
- self cleaning
- silent
- horizontal and vertical installation

APPLICATION

- heavy, thick and viscous fluids
- dirty water

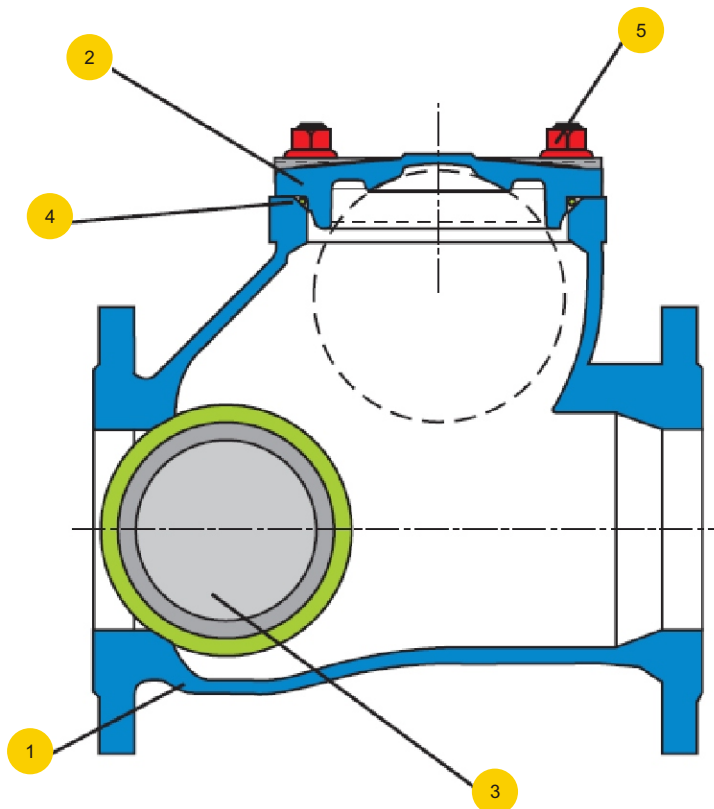
Data given can be changed without notice.

Edition 04/2013



figure	400
ends form	flanged Y-type

MATERIALS



	body material	B
	type	55
1	body	EN- GJS- 400-15 5.3106 (ex.JS 1030)
2	cover	EN- GJS- 400-15 5.3106 (ex.JS 1030)
3	ball	metal/ NBR
4	O - ring	NBR
5	stud bolt +nut	AISI 304
	max. temperature	70°C

Data given can be changed without notice.

Edition 04/2013

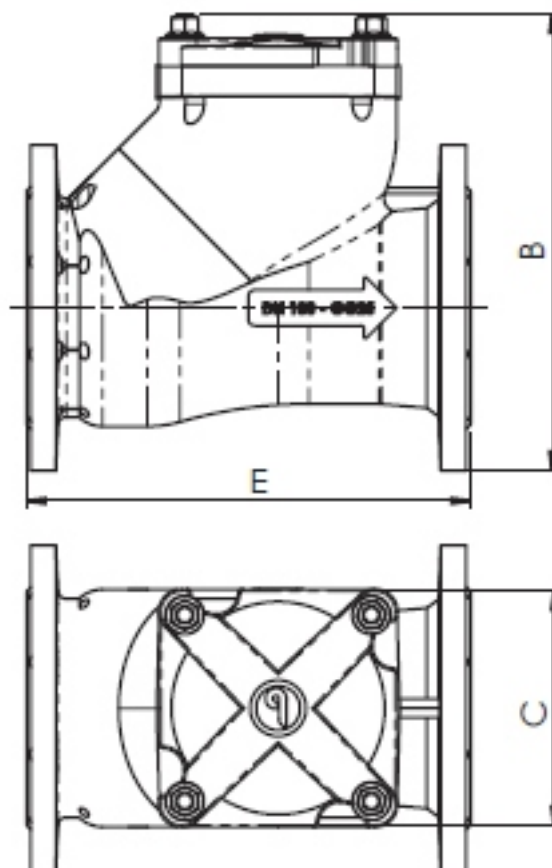


figure

400

ends
formflanged
Y-type

DIMENSIONS



DN	A	B	C	E	Kvs	
mm						kg
50	165	180	95	200	90	8,5
65	185	210	114	240	140	12
80	200	240	128	260	253	15
100	220	285	160	300	369	22
125	250	330	200	350	642	34
150	285	390	230	400	962	45
200	340	480	320	500	1990	80
250	400	600	414	600	3100	135
300	450	680	460	700	4100	200
350	505	800	596	850	5050	300
400	565	1050	690	1100	6500	600

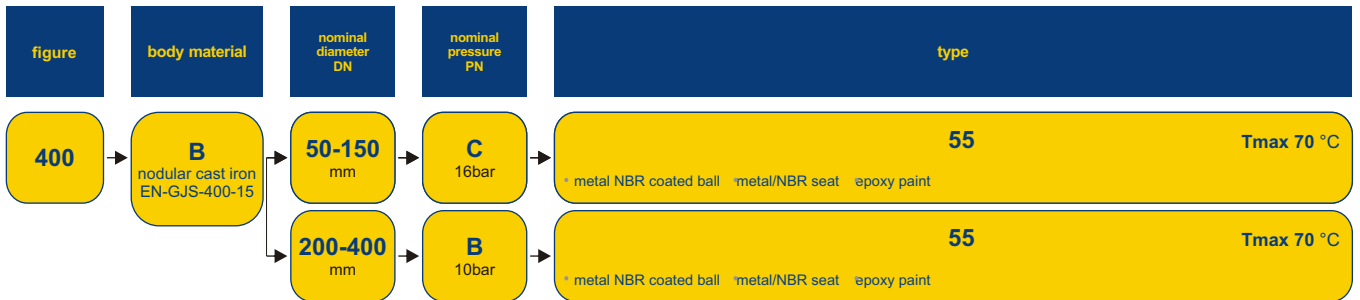
Data given can be changed without notice.

Edition 04/2013



figure	400
ends form	flanged Y-type

TYPES



ORDERING

To place an order please use our product number (index)



ORDER EXAMPLE

