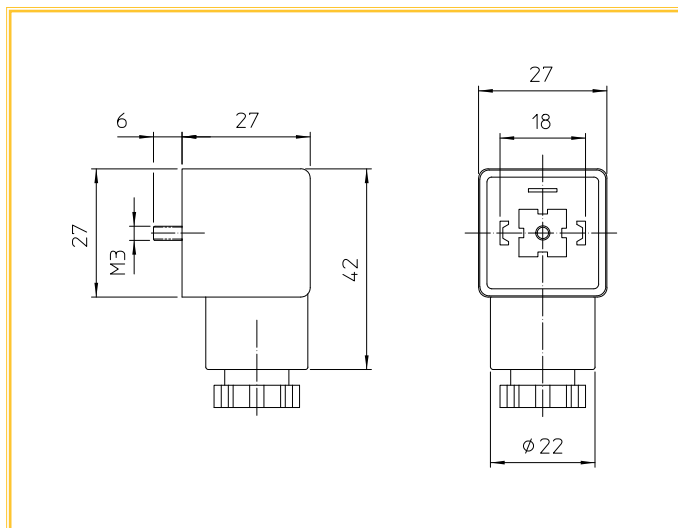




Connector for electronic connections

P992126
÷
P992127



COMPATIBLE COILS:

BD.. - GD.. - UD..

SPARE PARTS:

Standard:	EN 175301-803
Number of contacts:	2 +
Supply voltage:	AC/DC max 250V
Operating current:	10 A
Max current:	16 A
Contact resistance:	≤ 4 mOhm
Max conductor section:	1,5 mm ²
Housing :	PA (Polyamide)
Cable entry	
Cod. P992126	Pg 09
Cod. P992127	Pg 11
Cable diameter:	Pg 09 (6÷8 mm) Pg 11 (8÷10 mm)
Protection class:	IP 67 EN 60529
Insulation class:	DIN EN 60664-1;VDE 0110-1
Sealing:	NBR - 40°C + 90°C

The "ODE" reserves the right to carry out and aesthetic modifications without prior notification.