



Connector for electronic connections

P990305
÷
P990307

CODE:

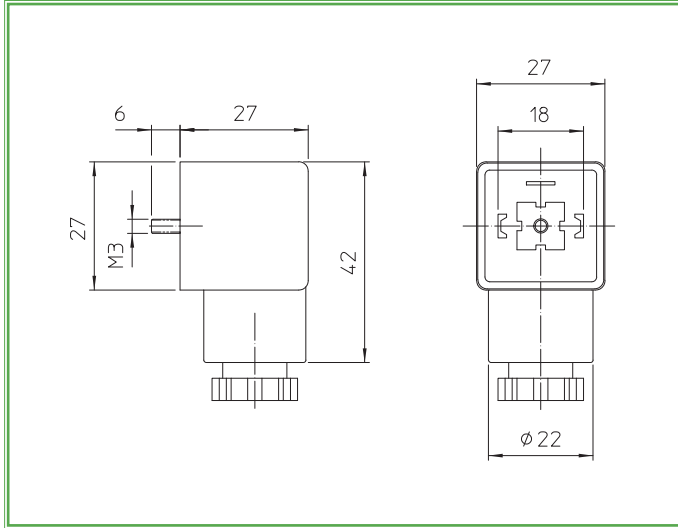
P990305 ÷ P990306

COMPATIBLE COILS:

BD.. - GD.. - UD..

SPARE PARTS:

Standard:	EN 175301-803
Number of contacts:	2 +
Supply voltage:	AC/DC max 250V
Operating current:	10 A
Max current:	16 A
Contact resistance:	≤ 4 mOhm
Max conductor section:	1,5 mm ²
Housing :	PA (Polyamide)
Cable entry:	
Code. P990305	Pg 09
Code. P990306	Pg 11
Cable diameter:	Pg 09 (6÷8 mm) Pg 11 (8÷10 mm)
Protection class:	IP 65 EN 60529
Insulation class:	DIN EN 60664-1;VDE 0110-1
Sealing:	NBR - 40°C + 90°C



CODE:

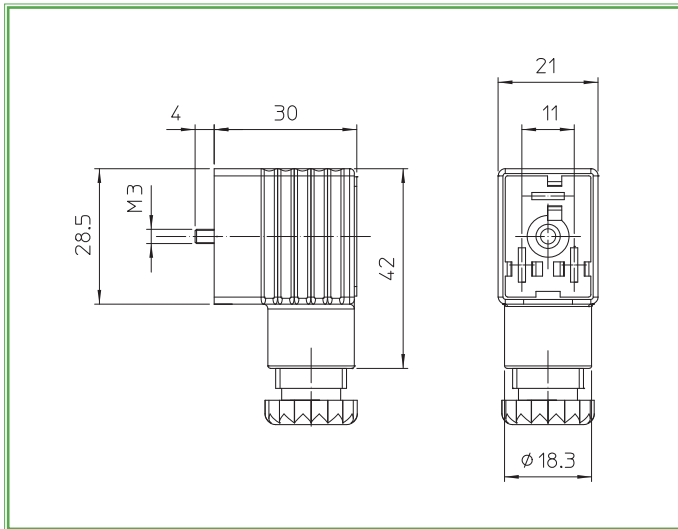
P990307

COMPATIBLE COILS:

LB...

SPARE PARTS:

Standard:	EN 175301-803
Number of contacts:	2 +
Supply voltage:	AC/DC max 250V
Operating current:	10 A
Max current:	16 A
Contact resistance:	≤ 4 mOhm
Max conductor section:	1,5 mm ²
Housing:	PA (Polyamide)
Cable entry:	
Cod. P990307	Pg 09
Cable diameter:	Pg 09 (6÷8 mm)
Protection class:	IP 65 EN 60529
Insulation class:	DIN EN 60664-1;VDE 0110-1
Sealing:	NBR - 40°C + 90°C



The "ODE" reserves the right to carry out and aesthetic modifications without prior notification.