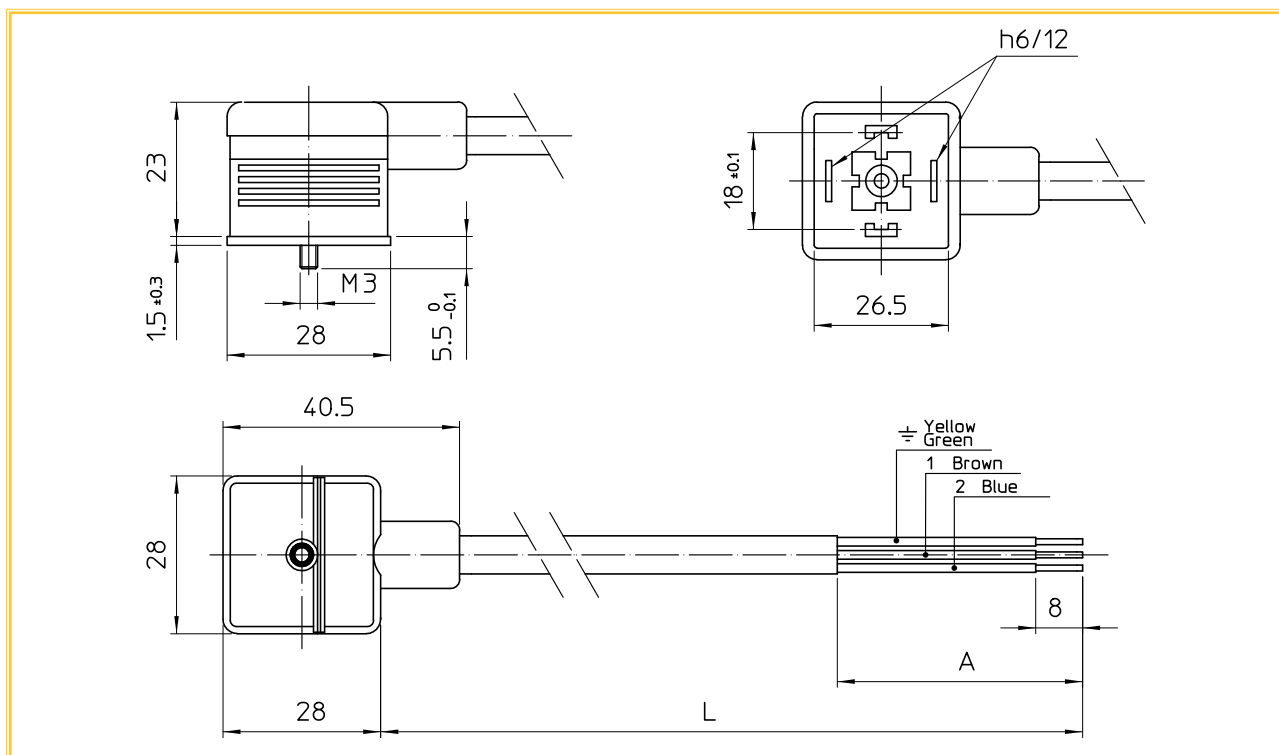




# Connector for electronic connect with cable

P990322  
÷  
P990525



### COMPATIBLE COILS:

BD.. - GD..- HD.. - UD..

### SPARE PARTS:

Standard: **EN 175301-803**  
 Number of contacts: 2 +  $\oplus$   
 Max Voltage : max 250V  
 Housing: PP (Polypropylene)  
 Max Current : 5 A  
 Contact resistance:  $\leq 4$  mOhm  
 Max conductor section: 1,5 mm<sup>2</sup>  
 Protection class: IP 65 EN 60529  
 Insulation class: DIN EN 60664-1;VDE 0110-1

CODE	CABLE LENGTH (L)	A cm
P990322	53	5
P990481	65	5
P990407	75	5
P990525	105	18
P990420	110	7,5
P990403	150	5
P990408	210	5
P990463	250	5

### Note

Special item-not standard - Available on request and with minimum quantities.

The "ODE" reserves the right to carry out and aesthetic modifications without prior notification.