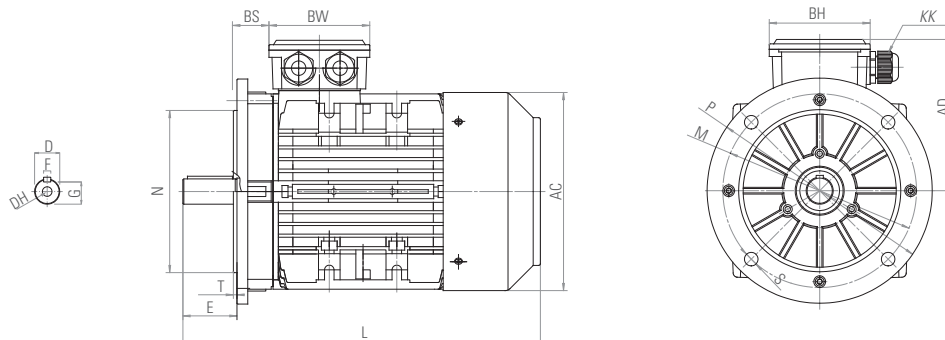
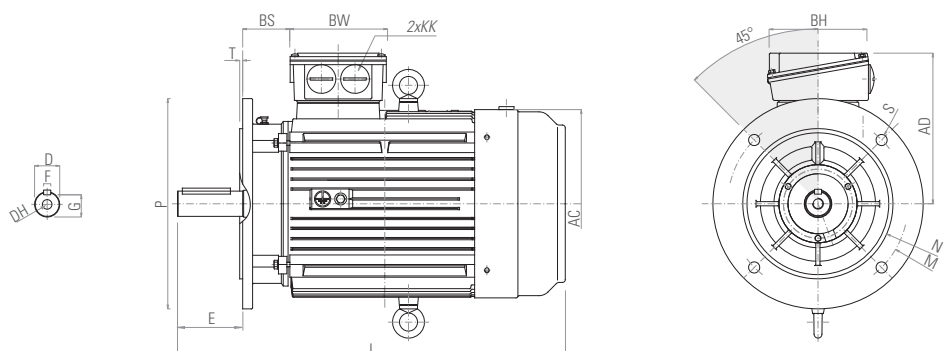


6T3 7T3 IE3 Trifaziai elektros varikliai / *three phase*

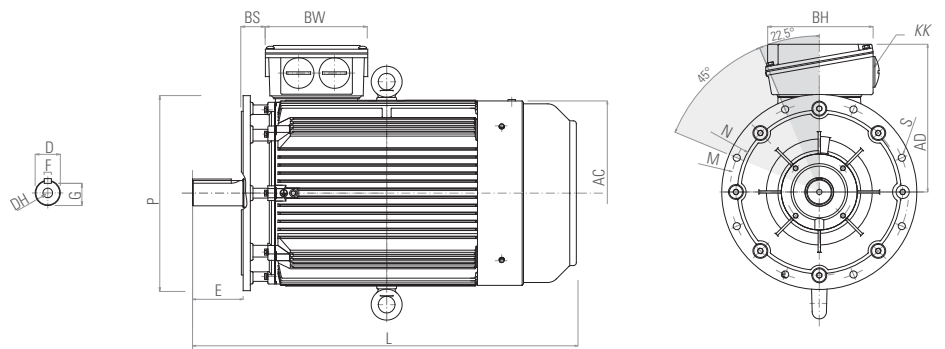
71-132 B5



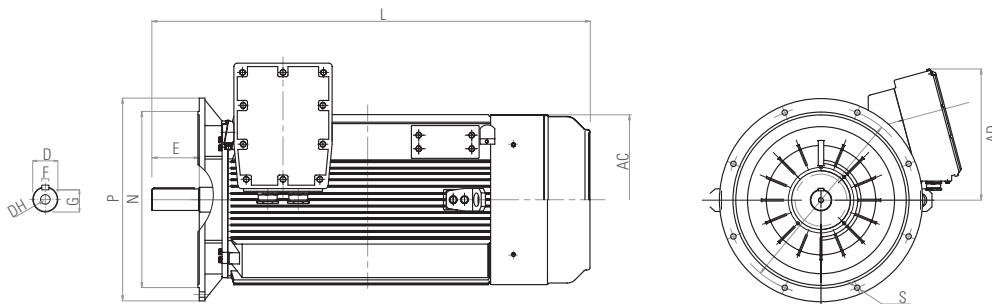
160-280 B5



315-355 B5



355LX-400 B5



71÷400

B5																		
	P	M	N	S	T	AC	HD	D	DH	E	F	G	H	KK	L	BS	BW	BH
<b>71-132 B5</b>																		
71	112	132	90	45	7X10	145	183	14	M5X12	30	5	11	71	M20X1.5	255	20	94	94
80	200	165	130	12	3.5	165	130	19	M6X16	40	6	15.5	80	M20X1.5	277	27	105	105
90S	200	165	130	12	3.5	185	140	24	M8X20	50	8	20	90	M20X1.5	312	26	105	105
90L	200	165	130	12	3.5	185	140	24	M8X20	50	8	20	90	M20X1.5	337	26	105	105
90LB	200	165	130	12	3.5	185	140	24	M8X20	50	8	20	90	M20X1.5	365	26	105	105
100L	250	215	180	15	4	205	155	28	M10X22	60	8	24	100	M20X1.5	375	26	105	105
100LC	250	215	180	15	4	205	155	28	M10X22	60	8	24	100	M20X1.5	411	26	105	105
112M(MB2)	250	215	180	15	4	230	166	28	M10X22	60	8	24	112	M25X1.5	400	34	112	112
112MB	250	215	180	15	4	230	166	28	M10X22	60	8	24	112	M25X1.5	417	34	112	112
132S	300	265	230	15	4	270	188	38	M12X28	80	10	33	132	M25X1.5	460	40	112	112
132M	300	265	230	15	4	270	188	38	M12X28	80	10	33	132	M25X1.5	500	40	112	112
<b>160-280 B5</b>																		
160M	350	300	250	18.5	5	330	265	42	M16X36	110	12	37	160	M32X1.5	660	92	150	180
160L	350	300	250	18.5	5	330	265	42	M16X36	110	12	37	160	M32X1.5	685	92	150	180
180M	350	300	250	18.5	5	380	280	48	M16X36	110	14	42.5	180	M32X1.5	725	92	150	180
180L	350	300	250	18.5	5	380	280	48	M16X36	110	14	42.5	180	M32X1.5	775	92	150	180
200L	400	350	300	18.5	5	420	315	55	M20X42	110	16	49	200	M40X1.5	785	100	180	215
225S4	450	400	350	18.5	5	465	335	60	M20X42	140	18	53	225	M40X1.5	835	100	180	215
225M2	450	400	350	18.5	5	465	335	55	M20X42	110	16	49	225	M40X1.5	825	100	180	215
225M4-6	450	400	350	18.5	5	465	335	60	M20X42	140	18	53	225	M40X1.5	860	100	180	215
250M2	550	500	450	18.5	5	520	375	60	M20X42	140	18	53	250	M50X1.5	940	105	215	260
250M4-6	550	500	450	18.5	5	520	375	65	M20X42	140	18	58	250	M50X1.5	945	105	215	260
280S2	550	500	450	18.5	5	570	405	65	M20X42	140	18	58	280	M50X1.5	970	105	215	260
280S4-6	550	500	450	18.5	5	570	405	75	M20X42	140	20	67.5	280	M50X1.5	975	105	215	260
280M2	550	500	450	18.5	5	570	405	65	M20X42	140	18	58	280	M50X1.5	1010	105	215	260
280M4-6	550	500	450	18.5	5	570	405	75	M20X42	140	20	67.5	280	M50X1.5	1015	105	215	260
<b>315-355 B5</b>																		
315S2	660	600	550	24	6	620	500	65	M20X42	140	18	58	315	M63X1.5	1150	105	285	330
315S4-6	660	600	550	24	6	620	500	80	M20X42	170	22	71	315	M63X1.5	1185	105	285	330
315M2	660	600	550	24	6	620	500	65	M20X42	140	18	58	315	M63X1.5	1260	105	285	330
315M4-6	660	600	550	24	6	620	500	80	M20X42	170	22	71	315	M63X1.5	1295	105	285	330
315L2	660	600	550	24	6	620	500	65	M20X42	140	18	58	315	M63X1.5	1265	105	285	330
315L4-6	660	600	550	24	6	620	500	80	M20X42	170	22	71	315	M63X1.5	1310	105	285	330
355M2	800	740	680	24	6	700	645	75	M24X50	140	20	67.5	355	M63X1.5	1510	100	360	410
355M4-6	800	740	680	24	6	700	645	100	M24X50	210	28	86	355	M63X1.5	1640	100	360	410
355L2	800	740	680	24	6	700	645	75	M24X50	140	20	67.5	355	M63X1.5	1610	100	360	410
355L4-6	800	740	680	24	6	700	645	100	M24X50	210	28	86	355	M63X1.5	1670	100	360	410
<b>355LX-400 B5</b>																		
355LX2	900	840	780	24	6	760	625	75	M20X42	140	20	67.5	355	-/-	1850	105	430	485
355LX4-6	900	840	780	24	6	760	625	100	M20X42	210	28	86	355	-/-	1950	105	430	485
400 2	1000	940	880	28	6	840	660	85	M24X50	170	22	76	400	-/-	1910	147	430	485
400 4-6	1000	940	880	28	6	840	660	120	M24X50	210	32	109	400	-/-	1990	147	430	485

Nota: dal MEC225 incluso in su, la flangia B5 ha 8 fori di fissaggio. Dati tecnici e caratteristiche possono subire variazioni  
 Note: from MEC225 included onwards, the B5 flange has 8 mounting holes. Technical data and performances may change