



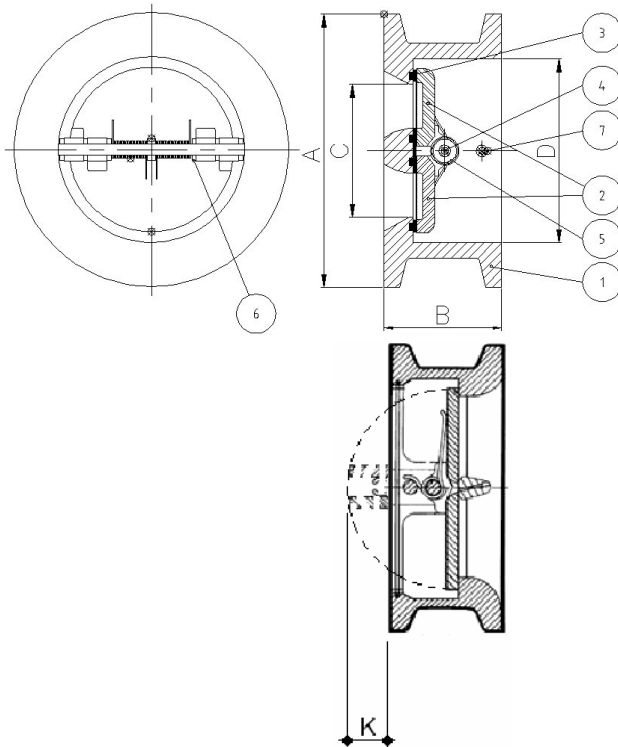
CARBON STEEL VALVES

GENEBRE PART: 2401 WAFER DOUBLE DISK CHECK VALVE



SPECIFICATIONS

1	Material Cast Iron GG-25
2	Sandwich mounts between PN10/16 or ASA150 flanges
3	Max working pressure 16 Bar
4	Max Temperature -20°C to + 100°C
5	Stainless shaft & spring
6	Vulcanised NBR seat (seat sits in groove)
7	Can accept vertical, horizontal or inclined flow
8	Face to face according to EN 558-1



DIMENSIONS

AVOL REF	SIZE mm	B mm	K mm	Wt Kg
2401 09	2"	54	5	1.85
2401 10	2 1/2"	54	11	2.45
2401 11	3"	57	11	3.10
2401 12	4"	64	24	4.65
2401 13	5"	70	34	6.90
2401 14	6"	76	43	9.10
2401 16	8"	95	67	14.50
2401 18	10"	108	80	24.65
2401 20	12"	143	96	39.95



CARBON STEEL VALVES

GENEBRE PART: 2401 WAFER DOUBLE DISK CHECK VALVE

Kv VALUES

Inch	2"	2 1/2"	3"	4"	5"	6"	8"	10"	12"
Kv m ³ /h	25,00	35,00	50,00	220,00	500,00	690,00	1005,00	1950,00	2300,00

MINIMUM OPENING / CRACK PRESSURES

FLOW	Aplication	Pressure	2"	2 1/2"	3"	4"	5"	6"	8"	10"	12"
↑	with spring	mbar	22,8	22,8	22,8	24	24,5	24,7	25,4	26,6	27,3
→	with spring	mbar	22,4	22,4	22,4	23,5	24	24,1	24,7	25,8	26,4
↓	with spring	mbar	22	22	22	23	23,5	23,5	24	25	25,5
↑	without spring	mbar	0,4	0,4	0,4	0,5	0,5	0,6	0,7	0,8	0,9

HEAD LOSS DIAGRAM

