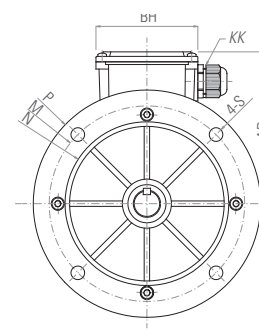
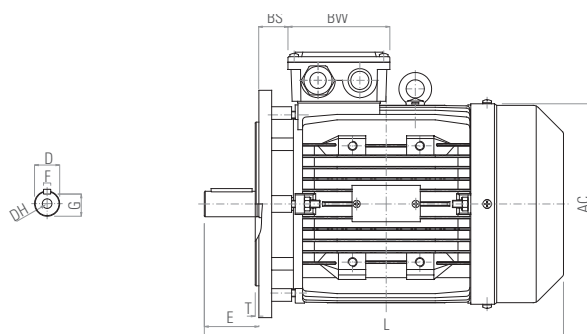


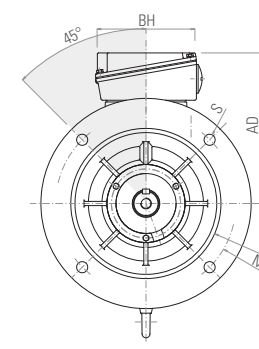
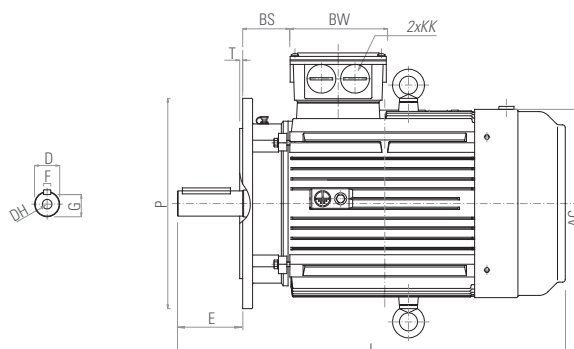
Elektros varikliai dviejų greičių

71÷280

71-132 B5



160-280 B5



B5

	P	M	N	S	T	AC	AD	D	DH	E	F	G	H	KK	L	BS	BW	BH
71-132 B5																		
71	160	130	110	10	3.5	145	112	14	M5X12	30	5	11	71	M20X1.5	255	20	94	94
80	200	165	130	12	3.5	165	132	19	M6X16	40	6	15.5	80	M20X1.5	290	27	105	105
90S	200	165	130	12	3.5	185	140	24	M8X20	50	8	20	90	M20X1.5	312	30	105	105
90L	200	165	130	12	3.5	185	140	24	M8X20	50	8	20	90	M20X1.5	337	30	105	105
100L	250	215	180	15	4	205	150	28	M10X22	60	8	24	100	M20X1.5	365	26	105	105
112	250	215	180	15	4	230	174	28	M10X22	60	8	24	112	M25X1.5	387	32	112	112
132S	300	265	230	15	4	270	187	38	M12X28	80	10	33	132	M25X1.5	436	38	112	112
132M	300	265	230	15	4	270	187	38	M12X28	80	10	33	132	M25X1.5	475	38	112	112
160-280 B5																		
160M	350	300	250	18.5	5	330	265	42	M16X36	110	12	37	160	M32X1.5	605	92	150	180
160L	350	300	250	18.5	5	330	265	42	M16X36	110	12	37	160	M32X1.5	650	92	150	180
180M	350	300	250	18.5	5	380	280	48	M16X36	110	14	42.5	180	M32X1.5	675	92	150	180
180L	350	300	250	18.5	5	380	280	48	M16X36	110	14	42.5	180	M32X1.5	715	92	150	180
200L	400	350	300	18.5	5	420	315	55	M20X42	110	16	49	200	M40X1.5	765	100	180	215
225S	450	400	350	18.5	5	465	335	60	M20X42	140	18	53	225	M40X1.5	820	100	180	215
225M	450	400	350	18.5	5	465	335	60	M20X42	140	18	53	225	M40X1.5	845	100	180	215
250M	550	500	450	18.5	5	520	375	65	M20X42	140	18	58	250	M50X1.5	930	105	215	260
280S	550	500	450	18.5	5	570	405	75	M20X42	140	20	67.5	280	M50X1.5	975	105	215	260
280M	550	500	450	18.5	5	570	405	75	M20X42	140	20	67.5	280	M50X1.5	1015	105	215	260

Nota: dal MEC225 incluso in su, la flangia B5 ha 8 fori di fissaggio.
Dati tecnici e caratteristiche possono subire variazioni

Note: from MEC225 included onwards, the B5 flange has 8 mounting holes
Technical data and performances may change