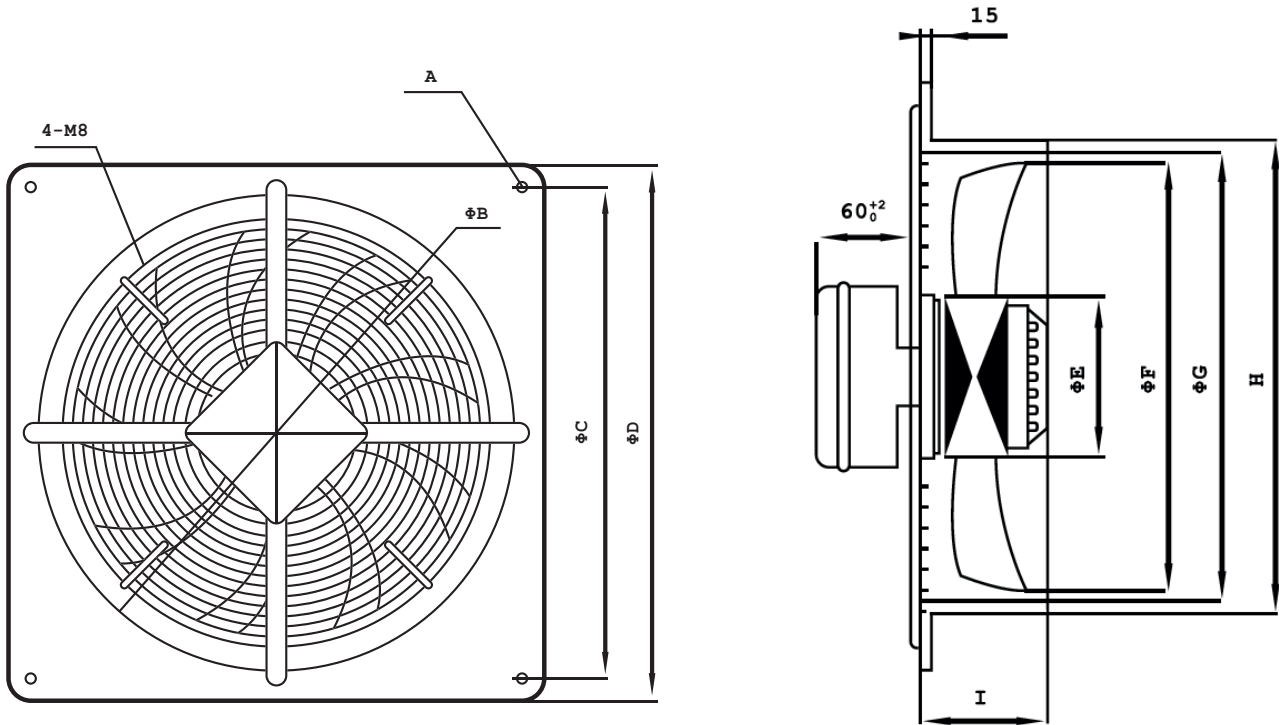


AXIAL FAN WITH SQUARE FRAME



	A	ΦB	ΦC	ΦD	ΦE	ΦF	ΦG	ΦH	I
FR-200-BS	4xΦ7 ⁰ _{-0,2}	260	260	310	92	193 ⁰ ₋₅	203	210	68
FR-250-BS	4xΦ7 ⁰ _{-0,2}	320	320	370	92	250 ⁰ ₋₅	260	280	90
FR-300-BS	4xΦ7 ⁰ _{-0,2}	380	380	430	92	300 ⁰ ₋₅	315	325	90
FR-350-BS	4xΦ10.5 ⁰ _{-0,2}	415	435	485	102	350 ⁰ ₋₅	360	380	95
FR-400-BS	4xΦ10.5 ⁰ _{-0,2}	470	490	540	102	400 ⁰ ₋₅	410	430	110
FR-450-BS	4xΦ10.5 ⁰ _{-0,2}	520	535	575	102	450 ⁰ ₋₅	460	480	110
FR-500-BS	4xΦ10.5 ⁰ _{-0,2}	580	615	655	137	500 ⁰ ₋₅	510	530	115
FR-550-BS	4xΦ10.5 ⁰ _{-0,2}	650	670	725	137	550 ⁰ ₋₅	560	570	115
FR-630-BS	4xΦ10.5 ⁰ _{-0,2}	730	750	805	137	630 ⁰ ₋₅	640	660	125
FR-710-BS	4xΦ14.5 ⁰ _{-0,2}	795	810	850	180	695 ⁰ ₋₅	705	718	250
FR-800-BS	4xΦ14.5 ⁰ _{-0,2}	950	910	970	180	784 ⁰ ₋₅	795	830	265